

Emergency disconnect switch(Safety switch)



Emergency disconnect switch (Safety switch)

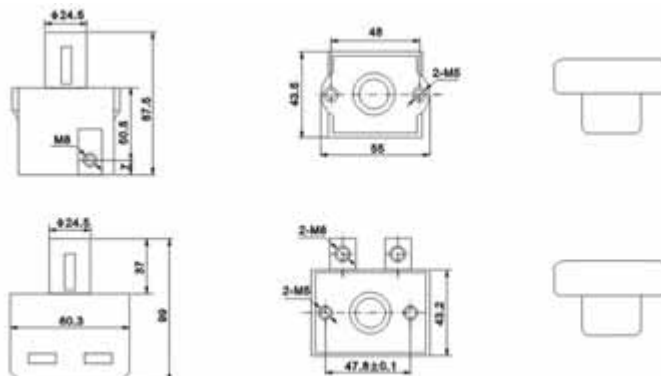
Usage:

ZJK125、ZJK250 emergency switches are applicable for a variety of electric motorcar and another electric device supporting, they are safe and convenient.

Brief Technical Data::

Number	Technical requirement	ZJK125	ZJK250
1	Rated voltage (A)	80	80
2	Rated current(A)	125	250
3	Mechanical life	10000times	10000times
4	Electric life	1000times	1000times

Configurational mounting diagram of Emergency disconnect switch (Safety switch)



Environmental condition:

1. Ambient temperature : -25~+40
2. Altitude range : 0~2000m
3. Maximum relative temperature 90% at 25

4. Vibration: 10~50Hz , 10m/s²
5. Shock : 30m/s²
6. Installation method : Anywhere
7. The scope of supply voltage fluctuation : 0.7~1.1U_e
8. Duty : 8h continuous